

PRH124



FEATURES 特点

- * Excellent solderability and high heat resistance
良好的可焊性和高耐热性

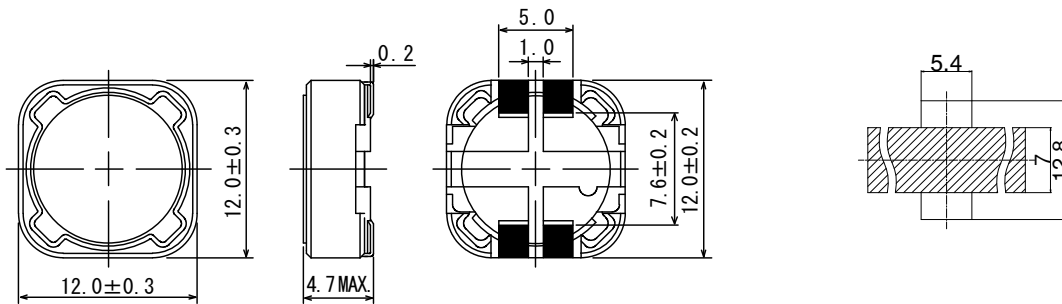
APPLICATION 用途

- * DC / DC转换器

MEASURING FREQUENCY 测试频率

- * 100KHz 0.3V

Shapes And Dimensions 外形及尺寸示意图



Electrical Characteristics 电气性能

Type 型号	Indicate 表示	Inductance 电感值	D.C.R(Max) 直流电阻(m Ω)	Rated Current(Max) 额定电流(A)
PRH124-3 R9	3R9	3.9 μ H \pm 30%	15	6.50
PRH124-4 R7	4R7	4.7 μ H \pm 30%	18	5.70
PRH124-6 R8	6R8	6.8 μ H \pm 30%	23	4.90
PRH124-8 R2	8R2	8.2 μ H \pm 30%	26	4.60
PRH124-10 0	100	10 μ H \pm 30%	28	4.50
PRH124-12 0	120	12 μ H \pm 30%	38	4.00
PRH124-15 0	150	15 μ H \pm 30%	50	3.20
PRH124-18 0	180	18 μ H \pm 30%	57	3.10
PRH124-22 0	220	22 μ H \pm 30%	66	2.90
PRH124-27 0	270	27 μ H \pm 30%	80	2.80
PRH124-33 0	330	33 μ H \pm 30%	97	2.70
PRH124-39 0	390	39 μ H \pm 30%	132	2.10
PRH124-47 0	470	47 μ H \pm 30%	150	1.90
PRH124-56 0	560	56 μ H \pm 30%	190	1.80
PRH124-68 0	680	68 μ H \pm 30%	220	1.50
PRH124-82 0	820	82 μ H \pm 30%	260	1.30
PRH124-10 1	101	100 μ H \pm 30%	308	1.20
PRH124-12 1	121	120 μ H \pm 30%	380	1.10
PRH124-15 1	151	150 μ H \pm 30%	530	0.95
PRH124-18 1	181	180 μ H \pm 30%	620	0.85
PRH124-22 1	221	220 μ H \pm 30%	700	0.80
PRH124-27 1	271	270 μ H \pm 30%	870	0.60
PRH124-33 1	331	330 μ H \pm 30%	990	0.50

* SPQ:500PCS/REEL